



D 385

Anhang / Extension

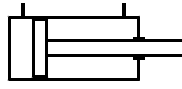
Pneumatikzylinder *Pneumatic Cylinders*

VDMA 24562 / ISO 6431



Programm-Ergänzung • Line Extension

VDMA 24562 • ISO 6431



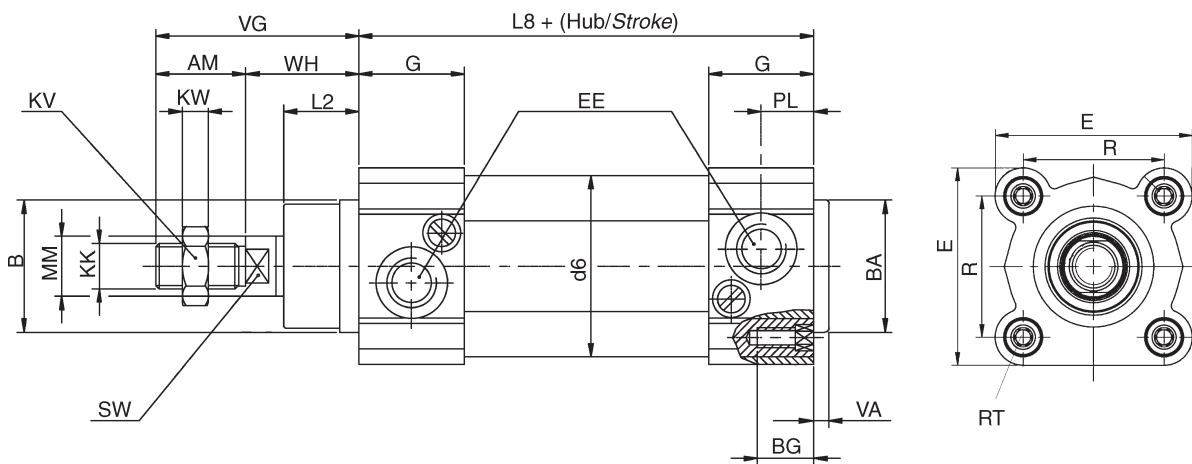
| Zylinder mit Einzelstange | | Single rod cylinder |
|------------------------------|----------|----------------------------|
| Stahl CK 45 mit Chromauftrag | 0 | CK 45 steel, chrome-plated |
| X20Cr13 mit Chromauftrag | C | X20Cr13, chrome-plated |



Aluminiumprofilrohr ohne Zugstangen
Aluminium profile without tie-rods

Dichtungsvarianten/Sealing options

| | | |
|----------|----------|----------|
| STANDARD | HEAVY | VIGOR |
| N | H | V |

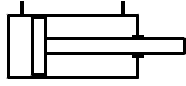


Allgemeine Information und Bestellschlüssel, siehe Druckschrift D385.
For general and ordering information, please refer to Bulletin D385.

| Code | ø mm | AM | e11 B ø | e11 BA ø | BG | d6 | E | EE | G | L2 | L8 | KK | KV | KW | MM | PL | R ø | RT | SW | VA | VG | WH | Gewicht, Weight | |
|--------|---------|----|---------------|----------------|------|------|-----|-------|------|------|-----|----------|----|----|----|-------|--------|-----|----|----|-----|----|-----------------|-------------|
| | | | | | | | | | | | | | | | | | | | | | | | 0mm g | 1mm g/mm |
| D0103P | 32 | 22 | 30 | 30 | 16,2 | 36,5 | 45 | G 1/8 | 25 | 18 | 94 | M10x1,25 | 17 | 6 | 12 | 12,5 | 32,5 | M6 | 10 | 4 | 48 | 26 | 410 | 2,30 |
| D0104P | 40 | 24 | 35 | 35 | 16,2 | 45,0 | 54 | G 1/4 | 27 | 20 | 105 | M12x1,25 | 19 | 7 | 16 | 13,5 | 38,0 | M6 | 12 | 4 | 54 | 30 | 620 | 3,40 |
| D0105P | 50 | 32 | 40 | 40 | 19,5 | 55,5 | 65 | G 1/4 | 29,5 | 28 | 106 | M16x1,5 | 24 | 8 | 20 | 14,75 | 46,5 | M8 | 17 | 4 | 69 | 37 | 1020 | 4,60 |
| D0106P | 63 | 32 | 45 | 45 | 19,5 | 68,0 | 76 | G 3/8 | 34,5 | 27 | 121 | M16x1,5 | 24 | 8 | 20 | 17,25 | 56,5 | M8 | 17 | 4 | 69 | 37 | 1225 | 5,10 |
| D0108P | 80 | 40 | 45 | 45 | 20,5 | 86,5 | 94 | G 3/8 | 35 | 34 | 128 | M20x1,5 | 30 | 9 | 25 | 17,5 | 72,0 | M10 | 22 | 5 | 86 | 46 | 1850 | 7,70 |
| D0110P | 100 | 40 | 55 | 55 | 20,5 | 108 | 112 | G 1/2 | 38 | 38,5 | 138 | M20x1,5 | 30 | 9 | 25 | 19 | 89,0 | M10 | 22 | 6 | 91 | 51 | 2750 | 9,30 |
| D0112P | 125 | 54 | 60 | 60 | 20,0 | 133 | 135 | G 1/2 | 44 | 46 | 160 | M27x2,0 | 41 | 12 | 32 | 22 | 110 | M12 | 27 | 7 | 119 | 65 | 4790 | 13,80 |

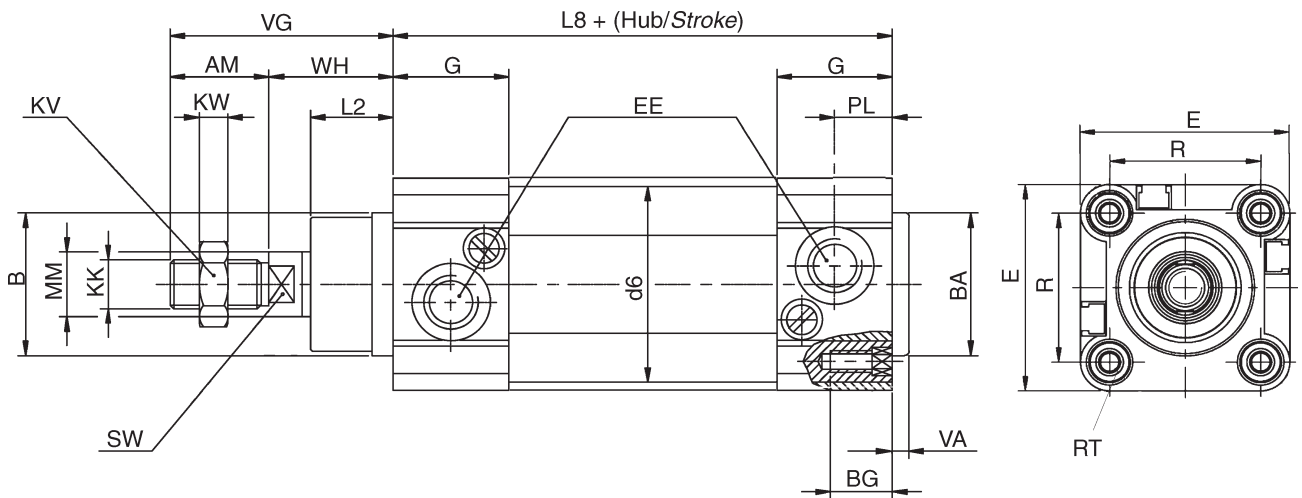


VDMA 24562 • ISO 6431

| | | |
|----------------------------------|---|----------------------------|
| Zylinder mit Einzelstange |  | Single rod cylinder |
| X20Cr13 mit Chromauftrag | C | X20Cr13, chrome-plated |



| | | | | |
|---|---|--|--------------------------|---|
| Aluminiumprofilrohr ohne Zugstangen <i>Aluminium profile without tie-rods</i>  |  | Dichtungsvarianten/ Sealing options | |  |
| | | HEAVY H | VIGOR V | |

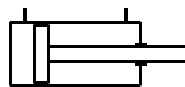


Allgemeine Information und Bestellschlüssel, siehe Druckschrift D385.
For general and ordering information, please refer to Bulletin D385.

| Code | ø mm | AM | e11 B ø | e11 BA ø | BG | d6 | E | EE | G | L2 | L8 | KK | KV | KW | MM | PL | R ø | RT | SW | VA | VG | WH | Gewicht, <i>Weight</i> | |
|--------|---------|----|---------------|----------------|------|-----|-----|-------|------|------|-----|----------|----|----|----|-------|--------|-----|----|----|-----|----|------------------------|-------------|
| | | | | | | | | | | | | | | | | | | | | | | | 0mm g | 1mm g/mm |
| D0103M | 32 | 22 | 30 | 30 | 16,2 | 45 | 45 | G 1/8 | 25 | 18 | 94 | M10x1,25 | 17 | 6 | 12 | 12,5 | 32,5 | M6 | 10 | 4 | 48 | 26 | 390 | 2,80 |
| D0104M | 40 | 24 | 35 | 35 | 16,2 | 54 | 54 | G 1/4 | 27 | 20 | 105 | M12x1,25 | 19 | 7 | 16 | 13,5 | 38,0 | M6 | 14 | 4 | 54 | 30 | 580 | 4,11 |
| D0105M | 50 | 32 | 40 | 40 | 19,5 | 65 | 65 | G 1/4 | 29,5 | 28 | 106 | M16x1,5 | 24 | 8 | 20 | 14,75 | 46,5 | M8 | 17 | 4 | 69 | 37 | 960 | 5,70 |
| D0106M | 63 | 32 | 45 | 45 | 19,5 | 76 | 76 | G 3/8 | 34,5 | 27 | 121 | M16x1,5 | 24 | 8 | 20 | 17,25 | 56,5 | M8 | 17 | 4 | 69 | 37 | 1350 | 6,40 |
| D0108M | 80 | 40 | 45 | 45 | 20,5 | 94 | 94 | G 3/8 | 35 | 34 | 128 | M20x1,5 | 30 | 9 | 25 | 17,5 | 72,0 | M10 | 22 | 5 | 86 | 46 | 2100 | 9,45 |
| D0110M | 100 | 40 | 55 | 55 | 20,5 | 112 | 112 | G 1/2 | 38 | 38,5 | 138 | M20x1,5 | 30 | 9 | 25 | 19 | 89,0 | M10 | 22 | 6 | 91 | 51 | 3215 | 10,70 |
| D0112M | 125 | 54 | 60 | 60 | 20,0 | 134 | 134 | G 1/2 | 44 | 46 | 160 | M27x2,0 | 41 | 12 | 32 | 22 | 110 | M12 | 27 | 7 | 119 | 65 | 5050 | 15,70 |

Magnetsensoren: siehe letzte Seite.
Magnetic sensors: see last page.

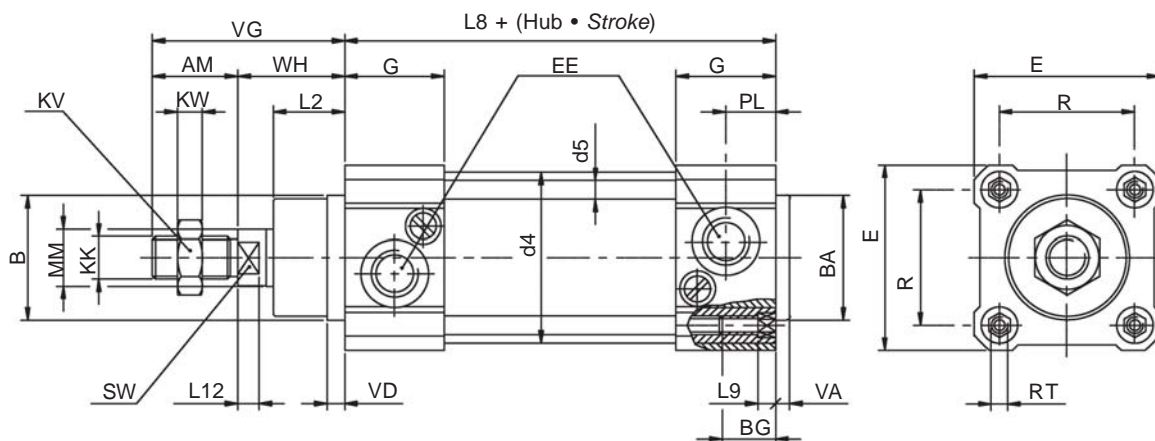
VDMA 24562 • ISO 6431



| Zylinder mit Einzelstange | | Single rod cylinder |
|--|----------|---|
| Stahl C40 mit Chromauftrag - Serie F / Standard | 0 | C40 steel, chrome-plated - Series F / Standard |
| AISI 303 mit Chromauftrag- Serie F X20Cr13 - Serie B / Standard | C | AISI 303, chrome-plated - Series F X20Cr13 - Series B / Standard |
| Inox AISI 303 - Serie F | X | Stainless steel, AISI 303 - Series F |



| Aluminiumprofilrohr mit 4 Zugstangen Aluminium profile with 4 tie-rods | Dichtungsvarianten/ Sealing options | | | Dichtungsvarianten/ Sealing options | | |
|---|--|----------|----------|--|----------|----------|
| | STANDARD | HEAVY | VIGOR | STANDARD | HEAVY | VIGOR |
| | N | H | V | N | H | V |



Allgemeine Information und Bestellschlüssel, siehe Druckschrift D385.
For general and ordering information, please refer to Bulletin D385.

| Code | ø mm | AM | B ø | e11 ø | e11 BA ø | BG | d4 ø | d5 ø | E | EE | G | L2 | L8 | L9 | L12 | KK | KV | KW | MM ø | PL | R | RT | SW | VA | VD | VG | WH | Gewicht, Weight | |
|--------|---------|----|--------|----------|----------------|-----|---------|---------|-------|------|------|-----|-----|----|----------|----|----|----|---------|------|-----|----|----|----|-----|-----|-------|-----------------|-------------|
| | | | | | | | | | | | | | | | | | | | | | | | | | | | | 0mm g | 1mm g/mm |
| D0103F | 32 | 22 | 30 | 30 | 16,2 | 36 | 6 | 47 | G 1/8 | 26,5 | 17,5 | 94 | 5 | 6 | M10x1,25 | 17 | 6 | 12 | 13 | 32,5 | M6 | 10 | 4 | 5 | 48 | 26 | 553 | 2,26 | |
| D0104F | 40 | 24 | 35 | 35 | 16,2 | 45 | 6 | 52 | G 1/4 | 28 | 20 | 105 | 5 | 7 | M12x1,25 | 19 | 7 | 16 | 14 | 38,0 | M6 | 12 | 4 | 5 | 54 | 30 | 825 | 3,20 | |
| D0105F | 50 | 32 | 40 | 40 | 19,5 | 55 | 8 | 65 | G 1/4 | 28 | 25 | 106 | 6 | 9 | M16x1,5 | 24 | 8 | 20 | 14 | 46,5 | M8 | 17 | 4 | 5 | 69 | 37 | 1335 | 4,66 | |
| D0106F | 63 | 32 | 45 | 45 | 19,5 | 68 | 8 | 75 | G 3/8 | 35 | 25 | 121 | 6 | 9 | M16x1,5 | 24 | 8 | 20 | 20 | 56,5 | M8 | 17 | 4 | 5 | 69 | 37 | 2000 | 5,1 | |
| D0108F | 80 | 40 | 45 | 45 | 20,5 | 86 | 10 | 95 | G 3/8 | 34 | 33 | 128 | 8,5 | 10 | M20x1,5 | 30 | 9 | 25 | 18 | 72,0 | M10 | 22 | 4 | 5 | 86 | 46 | 3245 | 7,45 | |
| D0110F | 100 | 40 | 55 | 55 | 20,5 | 105 | 10 | 115 | G 1/2 | 38 | 38 | 138 | 8,5 | 10 | M20x1,5 | 30 | 9 | 25 | 20 | 89,0 | M10 | 22 | 4 | 5 | 91 | 51 | 5000 | 8,7 | |
| D0112B | 125 | 54 | 60 | 60 | 20,0 | 133 | 12 | 145 | G 1/2 | 44 | 46 | 160 | 6 | 13 | M27x2 | 41 | 12 | 32 | 22 | 110 | M12 | 27 | 7 | - | 119 | 65 | 6500 | 13,7 | |
| D0116B | 160 | 72 | 65 | 65 | 24,0 | 170 | 16 | 186 | G 3/4 | 47 | 55 | 180 | - | 16 | M36x2 | 55 | 14 | 40 | 23,5 | 140 | M16 | 36 | 8 | - | 152 | 80 | 12000 | 24,3 | |
| D0120B | 200 | 72 | 75 | 75 | 24,0 | 210 | 16 | 220 | G 3/4 | 47 | 65 | 180 | - | 16 | M36x2 | 55 | 14 | 40 | 23,5 | 175 | M16 | 36 | 8 | - | 167 | 95 | 16500 | 27,6 | |
| D0125B | 250 | 84 | 90 | 90 | 25 | 262 | 20 | 270 | G 1 | 51 | 69 | 200 | - | 20 | M42x2 | 60 | 21 | 50 | 25,5 | 220 | M20 | 46 | 12 | - | 191 | 107 | 25000 | 38,4 | |
| D0132B | 320 | 96 | 110 | 110 | 28 | 336 | 24 | 340 | G 1 | 56 | 82 | 220 | - | 24 | M48x2 | 65 | 25 | 63 | 28 | 270 | M24 | 55 | 12 | - | 216 | 120 | 41000 | 60,7 | |



Magnetsensor für Serie M • Magnetic sensor for series M

Zweileiter-Sensoren mit Reedkontakt und Dreileiter-Sensoren mit PNP-Ausgang. Mit gelber LED-Anzeige ausgestattet. Geeignet für Zylinder mit T-Nut.

Twin-core sensors feature REED contact, triple-core sensors have PNP output. Yellow LED. Suitable for cylinders with T-shaped slot.



| | |
|---|---|
| Gehäuse / Housing | PA |
| Befestigung / Clamping system | stecken, fixieren / snap, screw |
| Betriebsspannung (Standard) / Operating voltage (Standard) | 10 - 110 V DC |
| Betriebsspannung (auf Anfrage) / Operating voltage (on request) | 10 - 240 V AC/DC |
| Schaltstrom / Switching current | max. 250 mA |
| Leistungsaufnahme / Power consumption | max. 10 W / DC - 8 VA / AC |
| Betriebsanzeige / Operation indicator | LED gelb / LED yellow |
| Schutzart / Enclosure rating | IP67 |
| Anschlußleitung / Cable | PVC 2x0,25 mm ² , PVC 3x0,14 mm ² |
| Kabellänge, wählbar / Cable length, selectable | 2,5 m; 5 m; 10 m |
| Umgebungstemperatur / Ambient temperature | -5°C / +85°C |

Bestellnummer / Model Number
Zweileiter / Twin-core cable

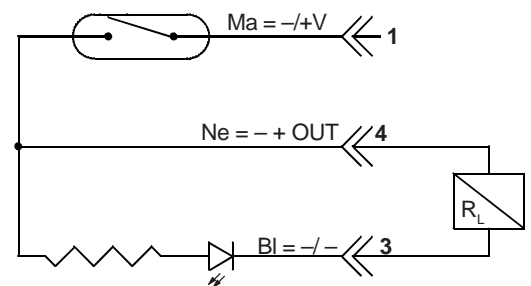
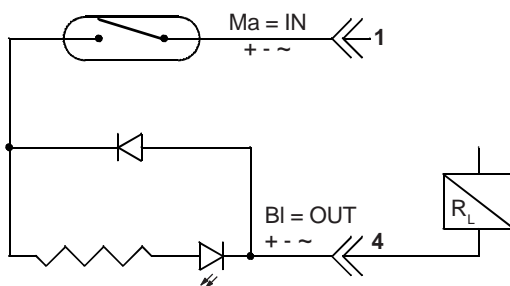
D0100FA0031*

*Kabellänge angeben / Specify cable length

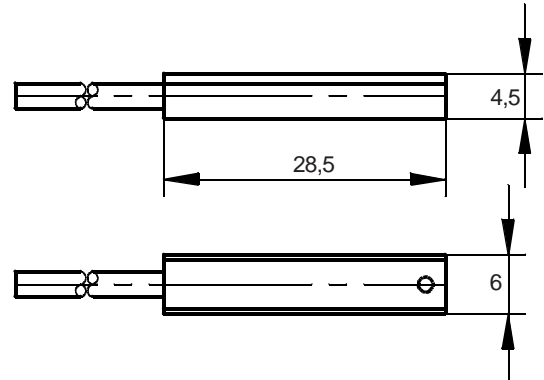
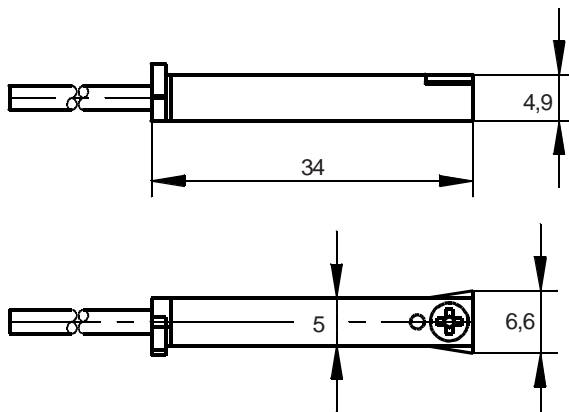
Bestellnummer / Model Number
Dreileiter / Triple-core cable

D0100FA0032*

*Kabellänge angeben / Specify cable length



Abmessungen/Dimensions - mm





ROSS EUROPA® GmbH
D-63225 Langen
Tel.: 06103-7597-0
Fax: 06103-74694
e-mail: info@rosseuropa.com
www.rosseuropa.com



ROSS CONTROLS®
Troy, U.S.A.
Tel.: 001-248-764-1800
Fax: 001-248-764-1850
www.rosscontrols.com

ROSS ASIA® K.K.
Kanagawa, Japan
Tel.: 0081-427-78-7251
Fax: 0081-427-78-7256
www.rossasia.co.jp

ROSS UK Ltd.
West Midlands, Großbritannien
Tel.: 0044-121-559-4900
Fax: 0044-121-559-5309
e-mail: sales@rossuk.co.uk
www.rossuk.com

ROSS CONTROLS (CHINA) Ltd.
Shanghai, China
Tel.: 0086-21-6267-5010
Fax: 0086-21-6267-5008

ROSS SOUTH AMERICA Ltda.
Sao Paulo, Brasilien
Tel.: 0055-11-4335-2200
Fax: 0055-11-4335-3888
e-mail: vendas@ross-sulamerica.com.br

ROSS CONTROLS® INDIA Pvt. Ltd.
Tamilnadu, Indien
Tel.: 0091-44-2624-9040
Fax: 0091-44-2625-8730
www.rossindia.com

GEWÄHRLEISTUNG und WICHTIGE HINWEISE

Es gelten die ROSS-Gewährleistungen und Anwendungshinweise. Wir informieren Sie gern ausführlich.

WARRANTY and CAUTIONS

Standard ROSS warranty and cautions apply.

For further information contact ROSS EUROPA or your nearest ROSS representative.