

New Product Introduction

Remote Piloted Regulator 3" Port

Models Numbers
5211B9008 and 5X00B9021



Application Example:

The 3" port regulator shown with a control regulator (sold separately). This is one example of connecting a control regulator, see Bulletin 420 (A10120) for applicable regulators.



Need more flow from your standard regulator?

Most pilot operated regulators do not have 3" ports. Users were required to use two 2" regulators in parallel.

Solution:

This unique pilot operated regulator was designed for those applications with flow rates exceeding 4,000 SCFM (1900 l/s). This pilot operated regulator allows control from a convenient location without entering an unsafe or hard-to-reach area.

General:

Analysis of pilot-operated regulators can be simplified by viewing them as two independent regulators connected together. The smaller of the two is generally the control regulator.

Inline mounting:

NPTF port threads; BSPP port threads.

FEATURES:

- Inlet pressure 300 psig (21 bar) max.
- Outlet pressure 200 psig (14 bar).
- Air Flow greater than 4,000 SCFM (1900 l/s).
- Control regulator provides manual control to the pilot operated regulator.
- Aluminum body and dome.
- Piston operation design.
- Inline mounting.
- Relieving - non-relieving optional (consult ROSS).
- Gauge included - can be mounted on front or back of regulator.
- NPTF and BSPP port threads.

APPLICATIONS:

- Any applications requiring high-flow rate such as:
- Main plant air supply
 - Steel production
 - Aluminum production
 - Glass bottle production
 - Blow molding operations

STANDARD SPECIFICATIONS

Ambient/Media Temperature:

40 to 175°F (4 to 79°C).

Body and Dome: Aluminum.

Fluid Media: Compressed Air.

Inlet Pressure: 300 psig (21 bar) Maximum.

Outlet Pressure: 0 to 200 psig (0 to 14 bar).

Note: Outlet pressure depends on the selection of the control regulator.

Pilot Ports: 1/4-NPTF (1/4 BSPP).

Pressure Gauge: 0 to 200 psig (0 to 14bar); 1/4-NPTF (1/4 BSPP) gauge ports front and rear.

Seals: Nitrile, optional Viton.

Valve: Aluminum.

Valve Cap: Aluminum.

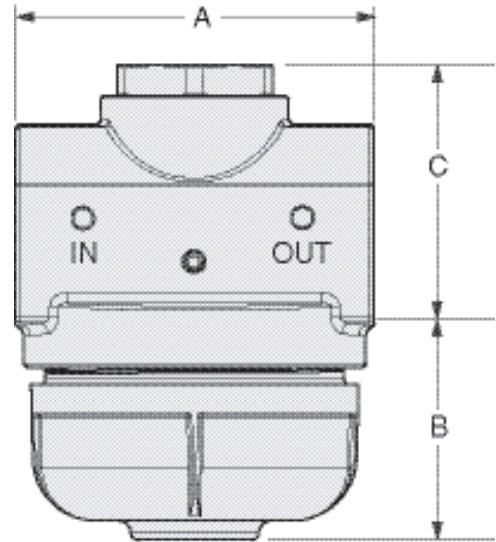
Option: Non-Relieving



DIMENSIONS Inches (mm)

Port Size	A	B	C	Depth*	Weight* lb. (kg)
3-NPTF (BSPP)	8.40 (214)	7.36 (187)	3.74 (95)	8.00 (203)	21.77 (9.88)

* Less Gauge.

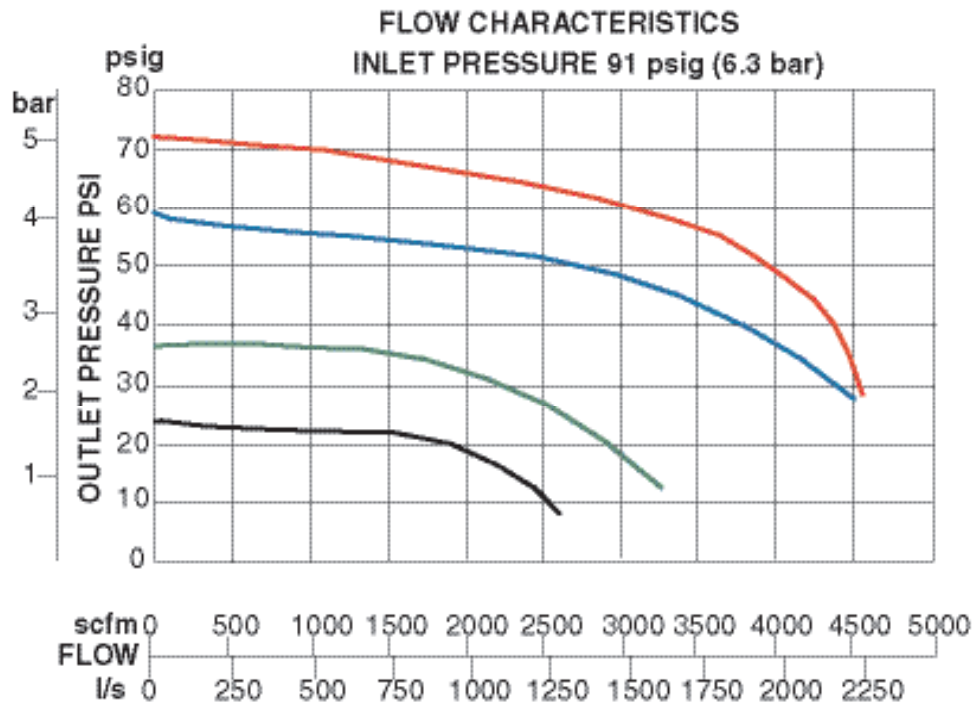


Model Number	Port Thread	Seals
5211B9008	NPTF	Nitrile
5X00B9021	NPTF	Viton

NOTE: For BSPP threads, add the letter "C" in front of the model number.

ISO
Regulator Symbol

Self-Relieving



ROSS CONTROLS®
U.S.A.
Customer Svs. 1-800-GET-ROSS
Technical Svs. 1-888-TEK-ROSS
www.rosscontrols.com

WARRANTY and CAUTIONS

Standard ROSS warranty and cautions apply, available upon request or at
www.rosscontrols.com/pdfs/cautionswarranty.pdf.

ROSS EUROPA GmbH Germany Fax: 49-6103-74694 info@ross.europa.com	ROSS ASIA® K.K. Japan Fax: 81-427-78-7256 custsvc@rossasia.co.jp	ROSS UK Ltd. United Kingdom Fax: 44-121-559-5309 sales@rossuk.co.uk	ROSS CONTROLS® INDIA Pvt. Ltd. India Fax: 91-44-2625-8730 rossindia@airtelbroadband.in	ROSS SOUTH AMERICA Ltda. Brazil Fax: 55-11-4335-3888 vendas@ross-sulamerica.com.br	ROSS FRANCE S.A.S. France Fax: 33-01-4945-6530 sales@rossfrance.com	ROSS CONTROLS(CHINA) Ltd. China Fax: 86-21-6915-7960 alvinzhurong@vip.163.com
--	--	---	--	--	---	---